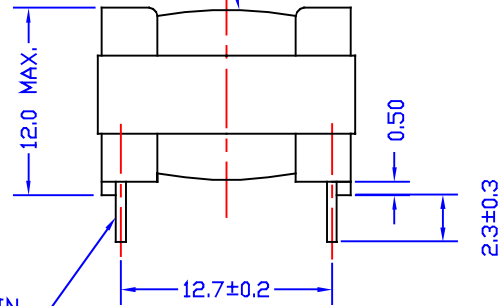
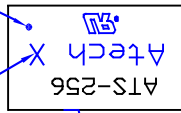
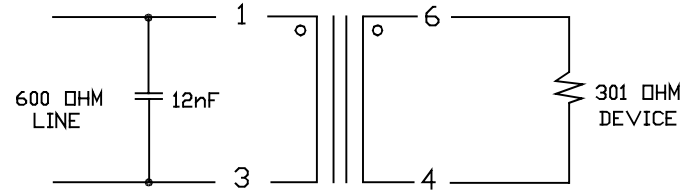
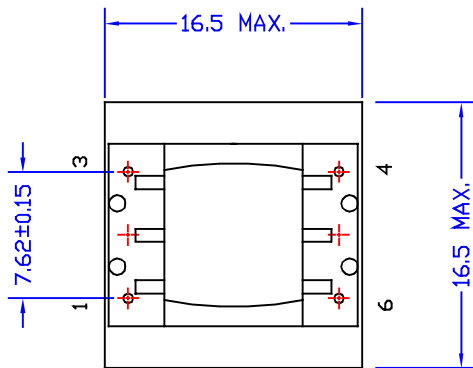


BLACK DOT PIN#1

M.F.G.



0.5 SQ. PIN  
OR Ø0.6 PIN



OPTIMUM CLASS (B) 600 OHM MATCH

ELECTRICAL CHARACTERISTICS: (FOR 56K MODEM)

1. D.C.R. : PIN 1-3 = 150 OHM+/-10% PIN 6-4 = 150 OHM+/-10%
2. INDUCTANCE (@250HZ, 1Vrms, PARALLEL): PIN 1-3 = 35H MIN.(40H TYP.)
3. RETURN LOSS : (REF. 600 OHM) 250 TO 4KHZ = 32dB MIN.
4. INSERTION LOSS : (1KHZ, 0dBm) 3+/-0.3dB
5. FREQ. RESPONSE: (REF. 1KHZ) 200 TO 4KHZ = +/-0.2dB
6. LONGITUDINAL BALANCE : 200HZ-4KHZ 80dB MIN.
7. TURN RATIO (6KHZ, 0.1Vrms) PIN 1-3 : 6-4 = 1+/-1%
8. DISTORTION : @300HZ, -10dBm : -86dB MAX.  
@150HZ, -3dBm : -80dB MAX.
9. HI-POT : (@1250VAC, 1mA, 1MINUTE) PIN 1-6
10. LEAD-FREE

						<b>Atech</b> <sup>®</sup>		TITLE 600: 301 TRANSFORMER	
						Atech Technology Co., Ltd.		DWG. NO. ATS-256N	
						TEL:(02)2784-8887 FAX:(02)2784-8004			
REVISIONS						UNITS:		SAFETY	
NO	DESCRIPTION	DATE	BY	CHK	APPD	DATE		SHEET 1 OF 1	
								DRAW	